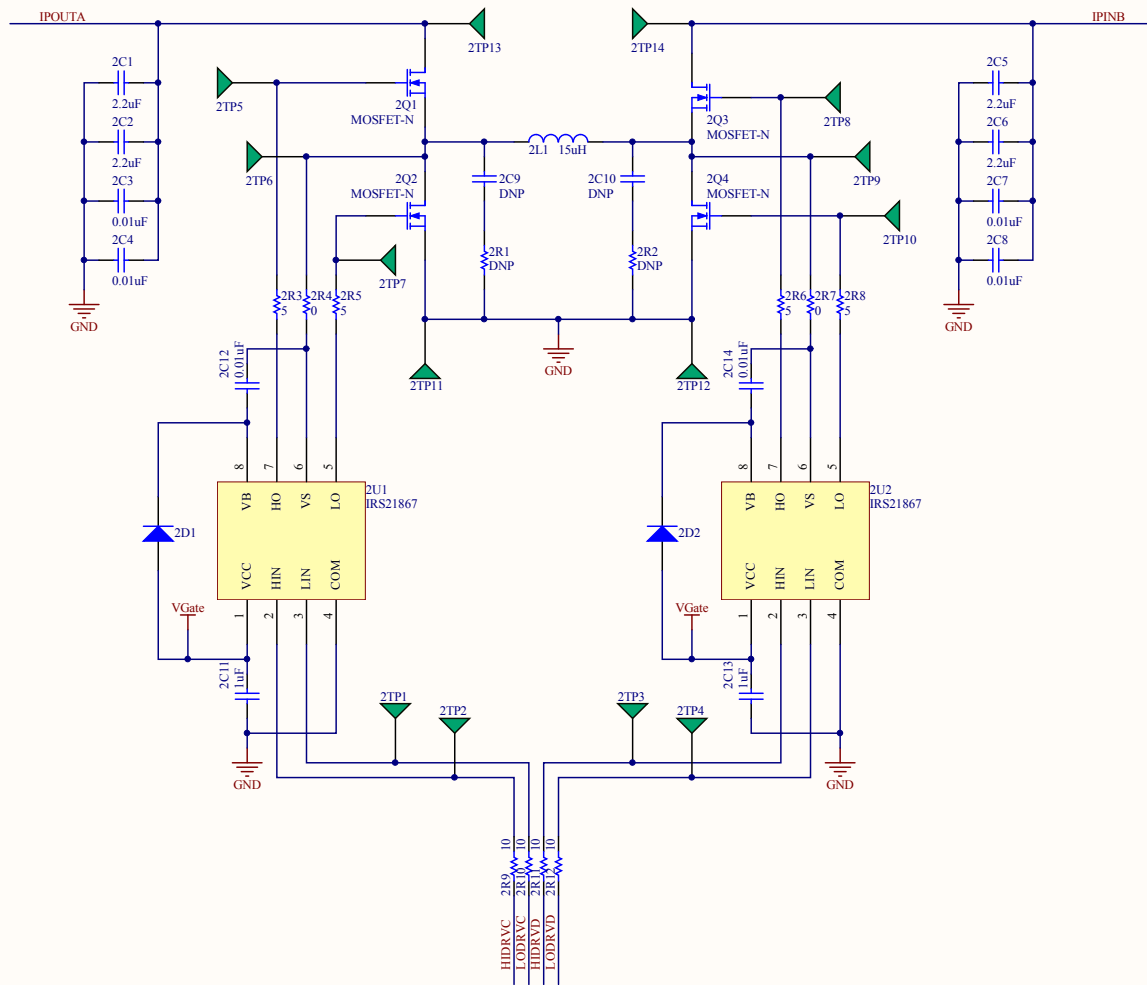


Solar Energy Generator 1.0

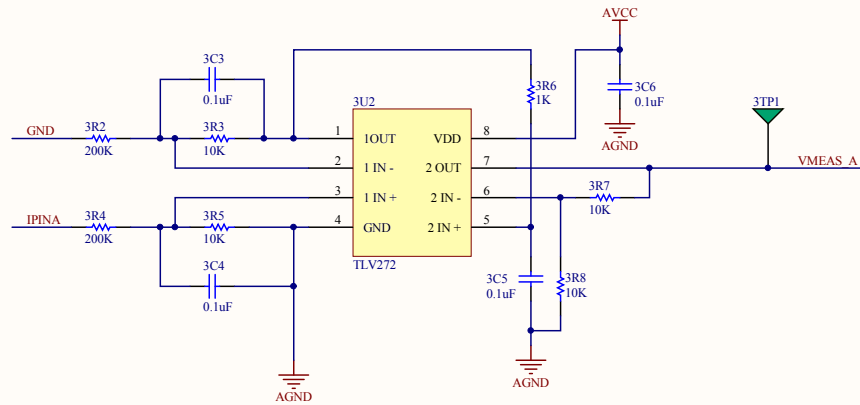
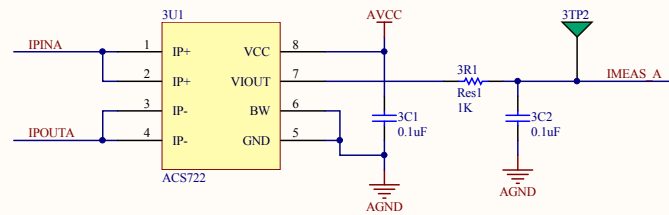
Schematic: Power Stage Phase A

Rev:1.0 Drawn By: Nathaniel VerLee

Page: 1 of 7 Date: 28 Sep, 2014



Solar Energy Generator 1.0	
Schematic: Power Stage Phase B	
Rev:1.0	Drawn By: Nathaniel VerLee
Page: 2 of 7	Date: 28 Sep, 2014



Solar Energy Generator 1.0

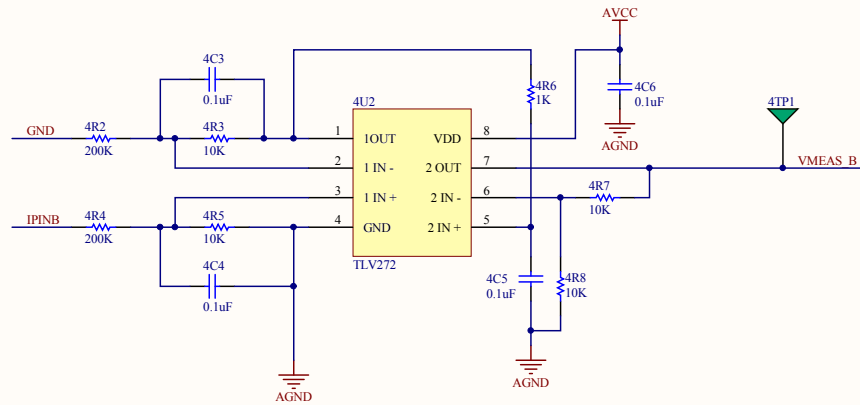
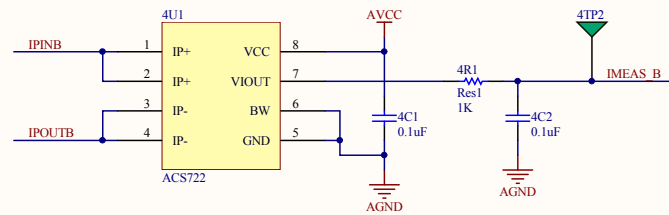
Schematic: Input Power Measurement

Rev:1.0

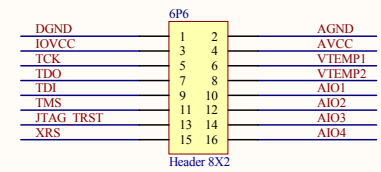
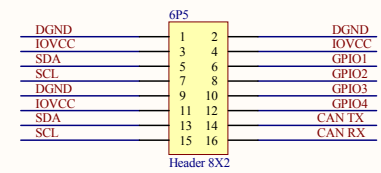
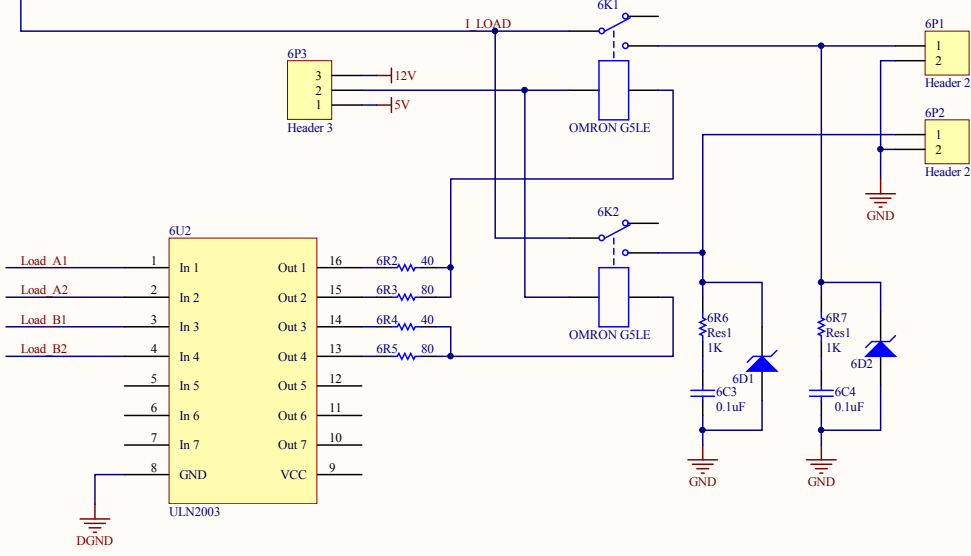
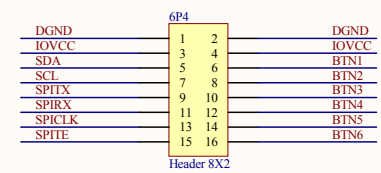
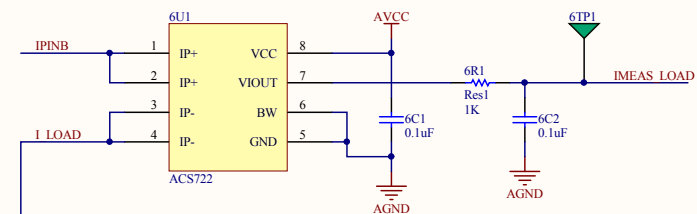
Drawn By: Nathaniel VerLee

Page: 3 of 7

Date: 28 Sep, 2014



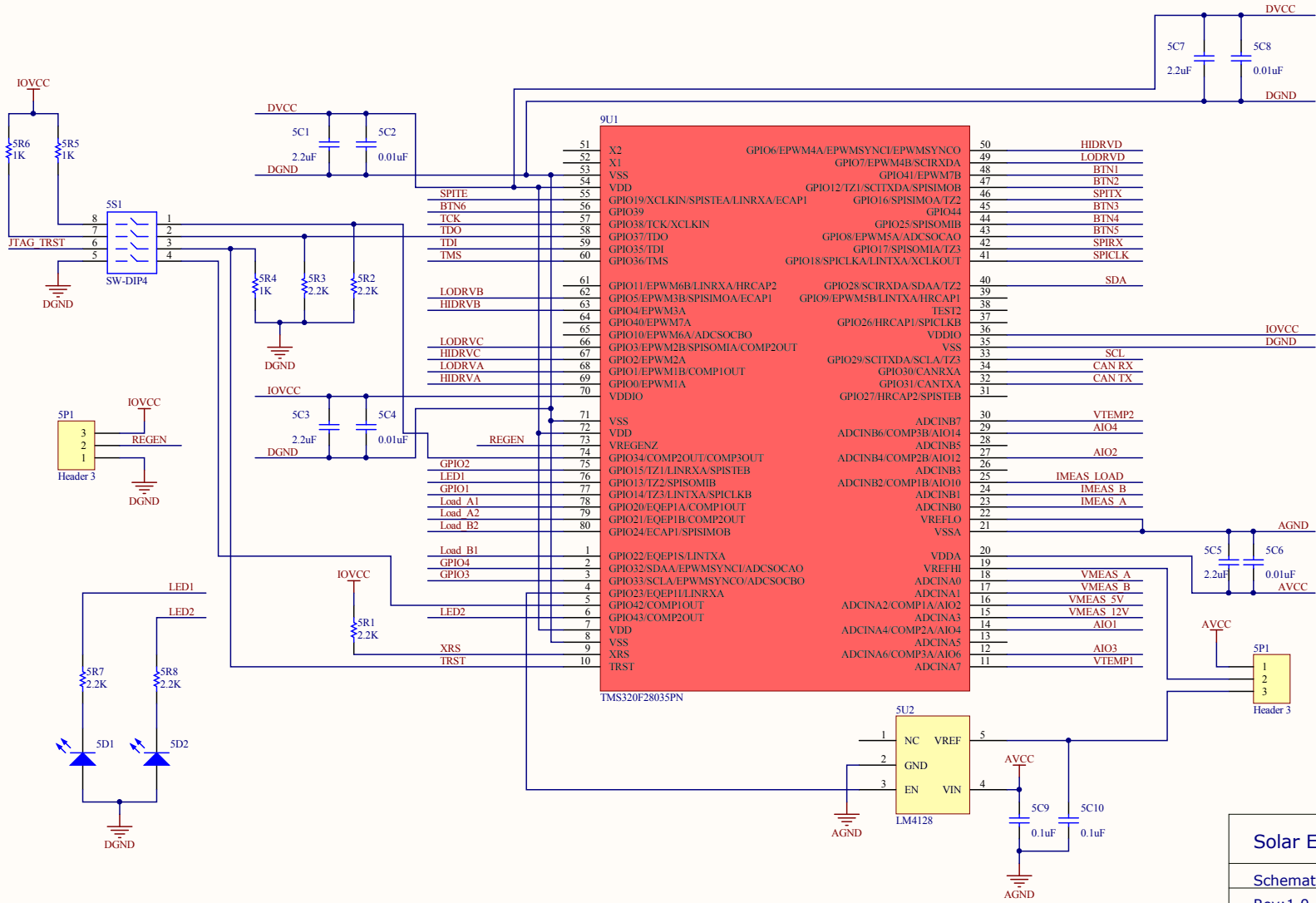
Solar Energy Generator 1.0	
Schematic: Output Power Measurement	
Rev:1.0	Drawn By: Nathaniel VerLee
Page: 4 of 7	Date: 28 Sep, 2014



Solar Energy Generator 1.0

Schematic: Load Switch and Interface

Rev:1.0	Drawn By: Nathaniel VerLee
Page: 6 of 7	Date: 28 Sep, 2014

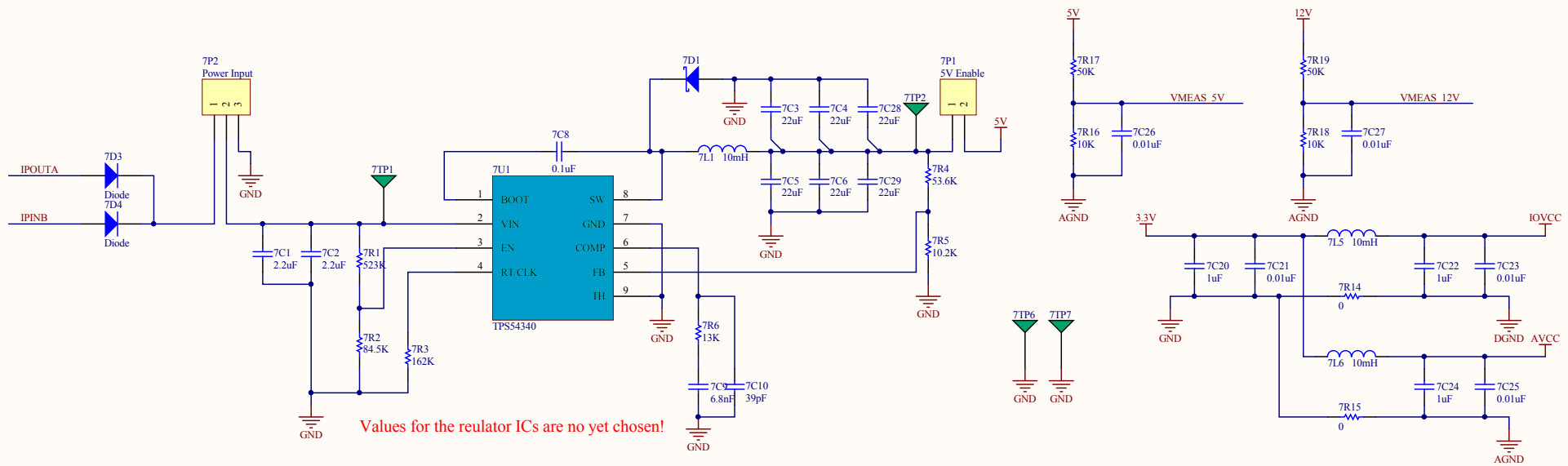


Solar Energy Generator 1.0

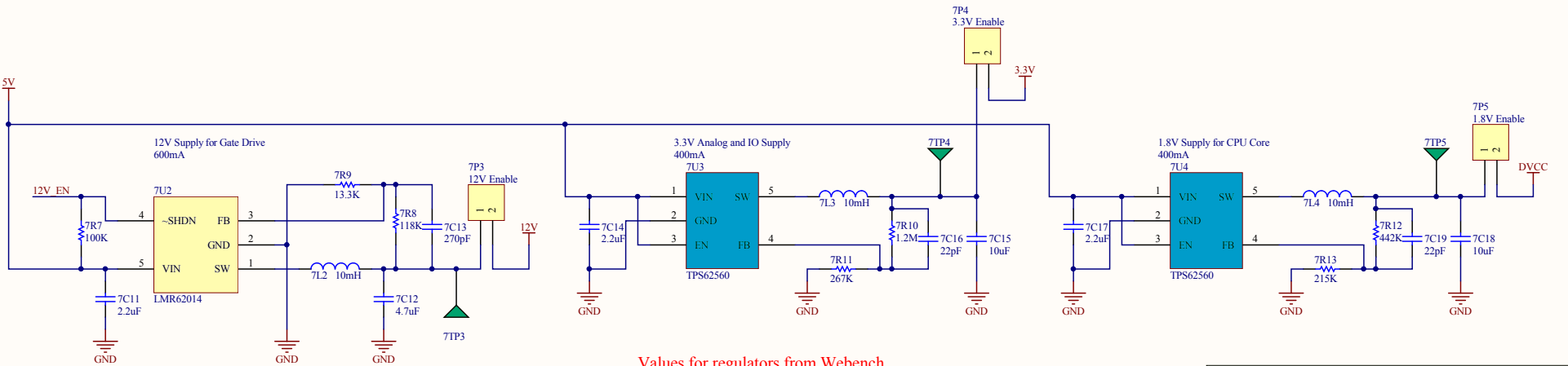
Schematic: MCU

Rev:1.0 Drawn By: Nathaniel VerLee

Page: 5 of 7 Date: 28 Sep, 2014



Values for the regulator ICs are no yet chosen!



Values for regulators from Webench
 L=2.2uH is recommended, 10uH may produce lower ripple

Solar Energy Generator 1.0	
Schematic: Regulators	
Rev:1.0	Drawn By: Nathaniel VerLee
Page: 7 of 7	Date: 28 Sep, 2014

